

## Slim equipped troughs

Equipped troughs

Code: 3025 881



### DETAILS

Edge/Installation Type	Undermount
Material	AISI 304 stainless steel
Finish	Foster brushed
Texture	Brushed in line
Base	90 cm
External dimensions	846 x 120 mm
Internal dimensions	830 x 72 mm
Width	84,6 cm
Length	3 unit - Slim

Built-in hole

[View technical data sheet](#)

---

Standard fittings

Fixing hooks, drain, boxed packing

---

Waste fitting

1¼" drain

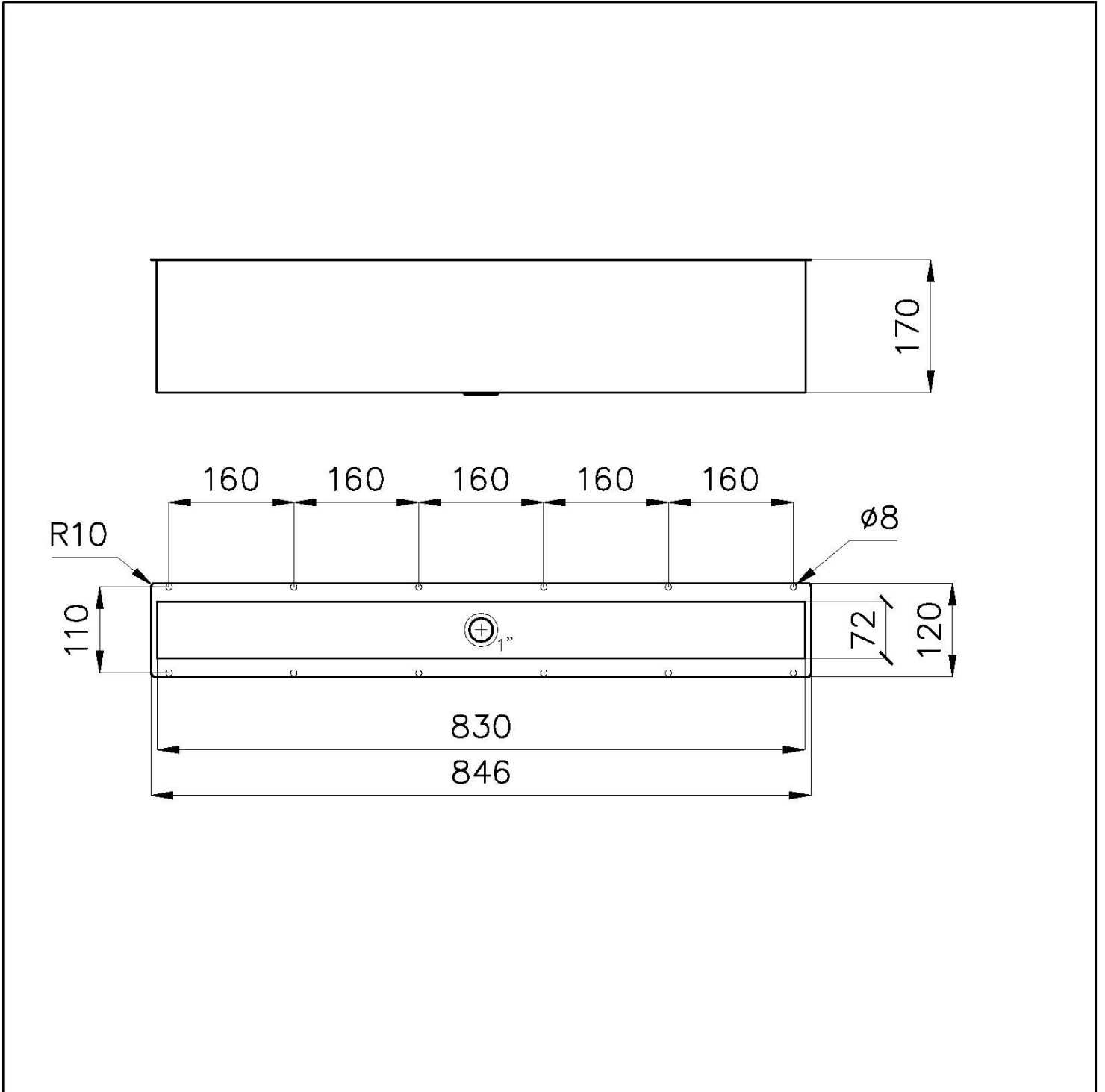
---

Key to understanding the accessories

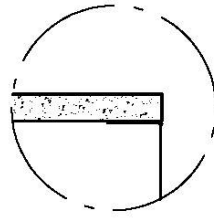
The lengths of the channels and accessories are indicated in “units”; for the composition, the sum of the “units” of the accessories must be the same as the length in “units” of the channel.

---

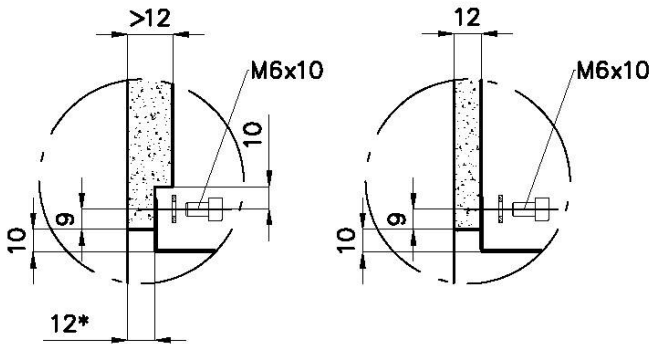
## TECHNICAL DATA



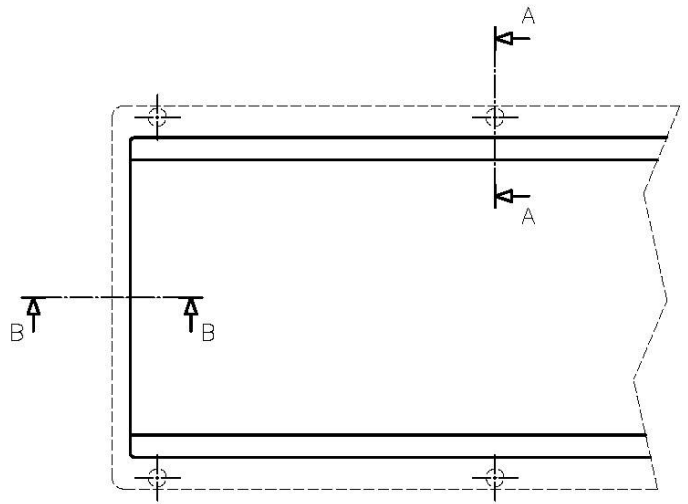
## Sottotop/Undermount



B-B:  
 Dettaglio installazione  
 Installation detail

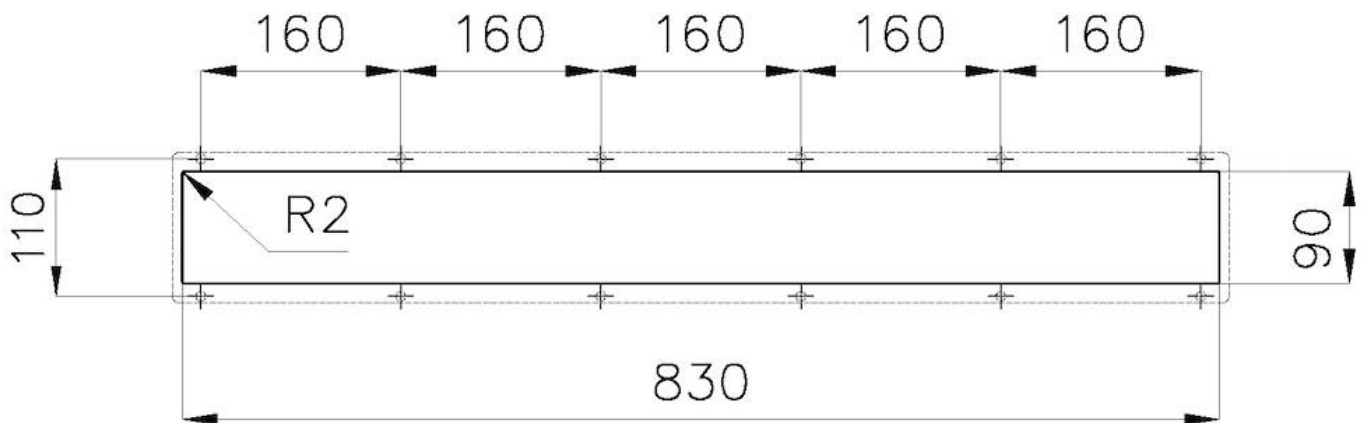


A-A:  
 Dettaglio installazione positive reveal e sistema di fissaggio  
 Installation detail with positive reveal and fixing system



\*spessore consigliato per un abbinamento perfetto con gli accessori  
 \*recommended thickness for a perfect match with the accessories

Dimensioni per foratura top  
Cut out size



## GALLERY



## OPTIONAL ACCESSORIES



**Kit "I"**  
8100 707



**Kit "L"**  
8100 708



**Kit "M"**  
8100 709



**Kit "O"**  
8100 715



**Stainless steel perforated tray**  
8151 004